

[GLOBAL](#) | [JAPAN](#) | [AMEI](#)[PRODUCT INFO](#) | [COMPA](#)

CASE STUDY

Customer Story

Toyota

Renault Sport F1

Shinryo

TONETS

Matsue College

Shutoko Engineering

Aisin Seiki

Canon

Nissan/ASFALIS

Nissan/CADdoctor for
NX

Aerojet Rocketdyne

Customer Voice

ASFALIS Unifies MultiCAD and M Environment by Its Scalability a

Industry: Automotive Product: ASFALIS

Nissan Motor Company

"Nissan is replacing all 3D translators in production engineering to Elysiu and distribution of 3D data in Nissan. With its preeminent translation per can be converted without error."

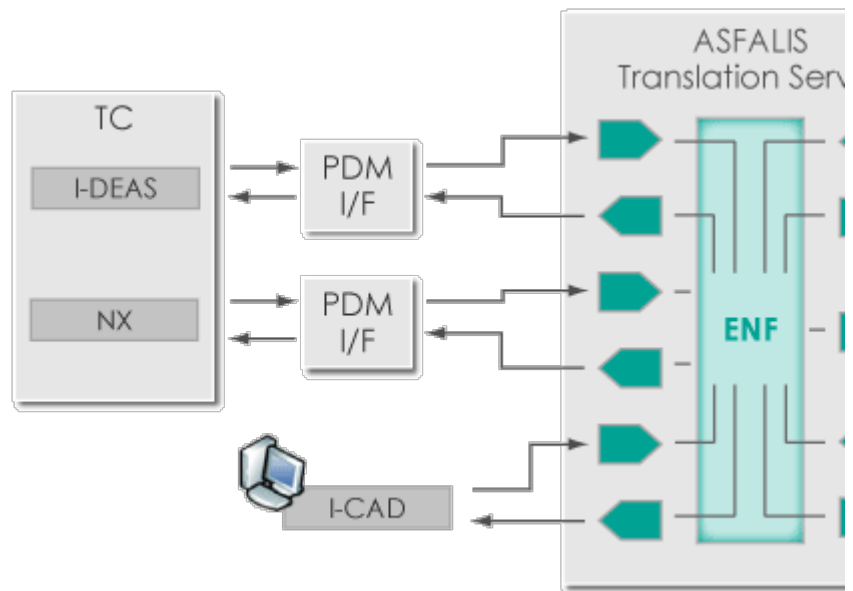
Katsuro FUJITANI, Senior Manager of Manufacturing and SCM system Dept

Summary

ASFALIS adapters allow all patterns of translation in Nissan so that users enabled to translate 3D data between INCAM* and several CAD systems, amount of data can be converted and delivered properly.

Thus, ASFALIS have built up high-quality 3D data translation and distribu

CAD-CAM cooperation / ASFAL



In Nissan, numbers of control and delivery systems had been used as a production technology field and data quality differed from tool to tool. File accuracy was frequently disrupted.

To solve these problems, Nissan launched a new project to shift to totally replacing its standard CAD system from I-deas to NX. On this project, ASFALIS provided a company-wide translation system to achieve high accuracy and great stability.

ASFALIS has allowed users to perform all patterns of translation in any CAD system concurrently running file translation processes. As this ASFALIS-based system is implemented in domestic branches, they are able to access ASFALIS to execute translation. Data is delivered to a specified branch in a specified format. Even if different patterns of data are under consideration, it won't be a problem because users can change patterns. When users are ready, ASFALIS automatically translates data and distributes the results.

Today, every progress of translation and distribution is thoroughly visualized. The stability of translation is admirable and stable. ASFALIS has significantly improved the accuracy of data translation and distribution.